

SUBMITTAL SHEET



SYSTEM INDOOR/OUTDOOR
30KS32A KS3032/C3032A
 WALL MOUNTED AIR CONDITIONER

SS30KS32-2

GENERAL DATA(AT 230V)

POWER V/PH/HZ	230/208/1/60	
Circuit Ampacity, Min. (A)	30	
Fuse size, Max. (A)	30	
COMPRESSOR	Rotary-Hermetic	
No. used	1	
R.L. Amps - L.R. Amps (A)	10.6 ñ 77.0	
Crankcase Heater	-	
OUTDOOR FAN - TYPE	Propeller	
Dia. (in.) - No. used	18-3/32 - 2	
Type Drive - No. speeds	Direct ñ 2 (AUTO)	
No. Poles - RPM (High)	6 - 879	
No. Motors ñ HP	2 - 110	
CFM (High)	3,670	
F.L. Amps. (A)	1.8	
OUTDOOR COIL - TYPE	Aluminum Fin & Copper Pipe	
Fin Type - Pipe Type	Slit Plate - Inner Bared	
Rows - F.P.I.	2 - 12.7	
Face Area (sq.ft.)	11.63	
Tube Size (in.)	3/8	
INDOOR FAN - TYPE	Cross - Flow	
Dia. & Length (in.) - No. used	4 - 13/18 & 46-1	
No. speeds	3 & Auto	
No. Poles -RPM (High)	4 -1,260	
No. Motors - WATTS	1 - 40	
CFM (HI/MED/LOW)	840/740/620	
F.L. Amps (A)	0.6	
INDOOR COIL - TYPE	Aluminum Fin & Copper Pipe	
Fin Type - Pipe type	Slit Plate - Inner Riffled	
Rows - F.P.I.	2-12.7	
Face Area (sq. ft.)	3.33	
Tube Size (in.)	3/8	
Drain Connection Size (in.)	1 - 1/4	
REFRIGERANT	R22	
Lbs. - R22 (O.D. Unit)	8.6	
Control	Capillary Tube	
Connection	Flare	
Line Length, Max (ft.)	165	
Lift difference, Max (ft.)	100	
Line Size - in. O.D. Discharge	3/8	
Line Size - in. O.D. Suction	3/4	
DIMENSIONS (in.)	H	x W x D
Indoor Unit -Uncrated	4- 9/16	x 59- 1/16 x 9- 7/16
-Crated	18- 3/16	x 62- 9/16 x 11-5/8
Outdoor Unit -Uncrated	48- 5/8	x 37 x 13-3/8
-Crated	52- 7/32	x 40 x 16- 3/8
WEIGHT	INDOOR	OUTDOOR
Net (lbs.)	64.0	198.0
Shipping(lbs.)	82.0	223.0
Shipping Volume (cu.ft.)	7.7	19.8

PERFORMANCE DATA @ ARI STANDARD CONDITIONS (230/208V)

COOLING		
Total Capacity (BTU/H)	30,000/29,000	
Sensible Capacity (BTU/H)	18,800/18,200	
Latent Capacity (BTU/H)	11,200/10,800	
SEER	10.4/10.7	
Dehumidification (Pints/H)	10.0/10.9	
Amps (A)	13.0/13.6	
Power Inputs (W)	2,880/2,770	
Outdoor Sound Rating(bels)	7.9	

FEATURE

Controls	Microprocessor
Remote Controller	LCD Wireless type
Temperature Control	IC Thermostat
Timer	ON/OFF, 24 hours
Night Setback	Built-In
Air Louver (Horizontal)	Manual
(Vertical)	Automatic
Power Failure Automatic Restart	Built-In
Self Diagnosis	N/A

OPTION

Refrigerant Line Set	AP3210BH (30 ft)	AP3215BH (50 ft)
Low Ambient Control	Available	
Fresh Air Intake	N/A	
Central Remote ON-OFF Control	Available	
Air duct Extension	N/A	
Indoor Frame Extension	N/A	
Condensate Drain Pump	Available	
Non-Removable Remo-con Bracket	RCS5PS4B	
Wire Remote Controller	RCS-102WD/RDS-302WD	

OPERATING RANGE

Cooling	Indoor Air	Outdoor Air
	<u>Intake Temp.</u>	<u>Intake Temp.</u>
Maximum	95 F DB/71 F WB	115 F DB
Minimum	67 F DB/57 F WB	67 F DB

CERTIFICATION



30KS32A

SUBMITTAL SHEET



AIRCONDITIONING PRODUCTS

SYSTEM INDOOR/OUTDOOR
30KLS322 **KS3032/CL30322A**
 WALL MOUNTED LOW AMBIENT AIR CONDITIONER

SS30KLS32-1

GENERAL DATA (AT 230V)	
POWER V/PH/HZ	230/208/1/60
Circuit Ampacity, Min. (A)	30
Fuse size, Max. (A)	30
COMPRESSOR	Rotary-Hermetic
No. used	1
R.L. Amps - L.R. Amps (A)	10.6 ñ 77.0
Crankcase Heater	30W
OUTDOOR FAN - TYPE	Propeller
Dia. (in.) - No. used	18-3/32 - 2
Type Drive - No. speeds	Direct ñ 3 (AUTO)
No. Poles - RPM (High)	6 - 879
No. Motors - HP	2 - 110
CFM (High)	3,670
F.L. Amps. (A)	1.8
OUTDOOR COIL - TYPE	Aluminum Fin & Copper Pipe
Fin Type - Pipe Type	Slit Plate - Inner Bared
Rows - F.P.I.	2 - 12.7
Face Area (sq.ft.)	11.63
Tube Size (in.)	3/8
INDOOR FAN - TYPE	Cross - Flow
Dia. & Length (in.) - No. used	4-13/18 & 46-1
No. speeds	3 & Auto
No. Poles -RPM (High)	4-1,260
No. Motors - WATTS	1 - 40
CFM (HI/MED/LOW)	840/710/620
F.L. Amps (A)	0.6
INDOOR COIL - TYPE	Aluminum Fin & Copper Pipe
Fin Type - Pipe type	Slit Plate - Inner Riffled
Rows - F.P.I.	2-12.7
Face Area (sq. ft.)	3.33
Tube Size (in.)	3/8
Drain Connection Size (in.)	1 - 1/4
REFRIGERANT	R22
Lbs. - R22 (O.D. Unit)	8.6
Control	Capillary Tube
Connection	Flare
Line Length, Max (ft.)	165
Lift difference, Max (ft.)	100
Line Size - in. O.D. Discharge	3/8
Line Size - in. O.D. Suction	3/4
DIMENSIONS (in.)	H x W x D
Indoor Unit -Uncrated	14- 9/16 x 59- 1/16 x 9- 7/16
-Crated	18- 3/16 x 62- 9/16 x 11-5/8
Outdoor unit -Uncrated	48- 5/8 x 37 x 13-3/8
-Crated	52- 7/32 x 40 x 16- 3/8
WEIGHT	INDOOR OUTDOOR
Net (lbs.)	64.0 198.0
Shipping (lbs.)	82.0 223.0
Shipping Volume (cu.ft.)	7.7 19.8

PERFORMANCE DATA @ ARI STANDARD CONDITIONS (230/208V)

COOLING		
Total Capacity	(BTU/H)	30,000/29,000
Sensible Capacity	(BTU/H)	18,800/18,820
Latent Capacity	(BTU/H)	11,200/10,800
SEER		10.4/10.7
Dehumidification	(Pints/H)	10.0/9.9
Amps	(A)	13.0/13.6
Power Inputs	(W)	2,880/2,770
Outdoor Sound Rating(bels)		7.9

FEATURE

Controls	Microprocessor
Remote Controller	LCD Wireless type
Temperature Control	IC Thermostat
Timer	ON/OFF, 24 hours
Night Setback	Built-In
Air Louver	Manual
	Automatic
Power Failure Automatic Restart	Built-In
Self Diagnosis	N/A

OPTION

Refrigerant Line Set	AP3210BH (30 ft) AP3215BH (50 ft)
Low Ambient Control	Equipped
Fresh Air Intake	N/A
Central Remote ON-OFF Control	Available
Air duct Extension	N/A
Indoor Frame Extension	N/A
Condensate Drain Pump	Available
Non-Removable Remo-con Bracket	RCS5PS4B
Wire Remote Controller	RCS-102WD/RDS-302WD

OPERATING RANGE

Cooling	Indoor Air Intake Temp.	Outdoor Air Intake Temp.
Maximum	95 F DB/71 F WB	115 F DB
Minimum	67 F DB/57 F WB	0 F DB

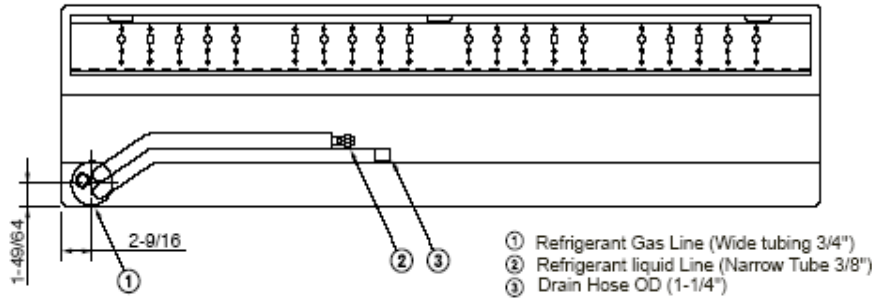
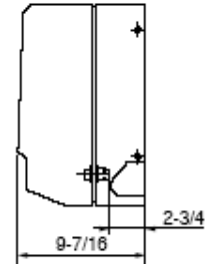
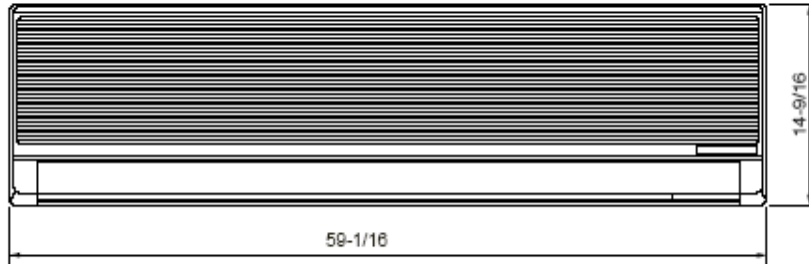
CERTIFICATION



30KLS32A

DIMENSIONAL DATA

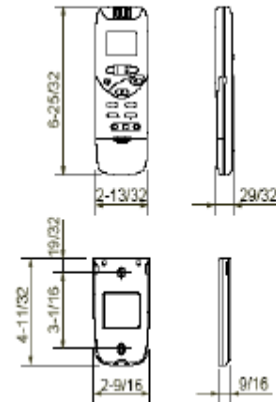
Indoor unit: KS3032



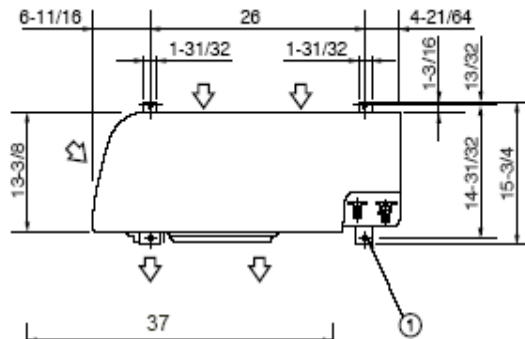
- ① Refrigerant Gas Line (Wide tubing 3/4")
- ② Refrigerant liquid Line (Narrow Tube 3/8")
- ③ Drain Hose OD (1-1/4")

Dimension: inch

Remote Control Unit

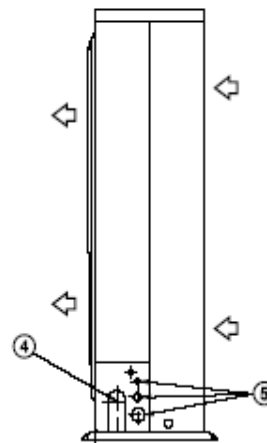
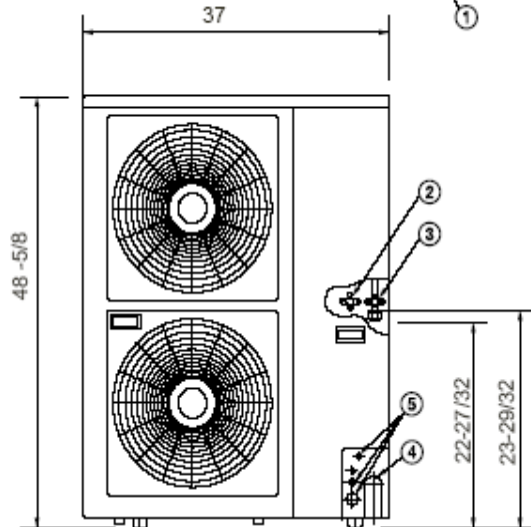


Outdoor unit: C3032A , CL3032A



- ① Hole for anchor bolt (4: 1/2")
- ② Refrigerant tube joint (narrow tube) Flare Connection 3/8"(9.52mm)
- ③ Refrigerant tube joint (wide tube) Flare Connection 3/4"(19.05mm)
- ④ Refrigerant tubing inlet
- ⑤ Power supply inlet

1342_C3



WARRANTY

SANYO products are warranted against defects in materials and workmanship for the period below;

	LABOR	PARTS
Compressor	30 Days	5 Years
Other Components	N/A	1 Year

Full specific warranty rights, conditions, exclusions and obligations are specified in the warranty packed with each products.

Because of a policy of continuous product improvements, SANYO reserves the right to change specifications and design without notice.

SANYO FISHER COMPANY
 A Division of SANYO North America Corporation
 21605 Plummer St. Chatsworth, CA 91311
 Phone : (818) 998-7322
 Fax : (818) 701-4160
 Website: <http://www.sanyohvac.com>